



Submersible Stainless Steel Pumps

SQ/SFQ/BQ/CQ



Printed on recycled paper with soy ink -
Evidence of our commitment to the environment

Amenics
Amenities from Technology
for People and the Earth

■ Features

Austenitic Stainless Steel for Wetted Parts

At the metal components that come in contact with liquid are made of stainless steel casting (SCS14) or 316 stainless steel (SUS316).

Corrosion-resistant Mechanical Seal

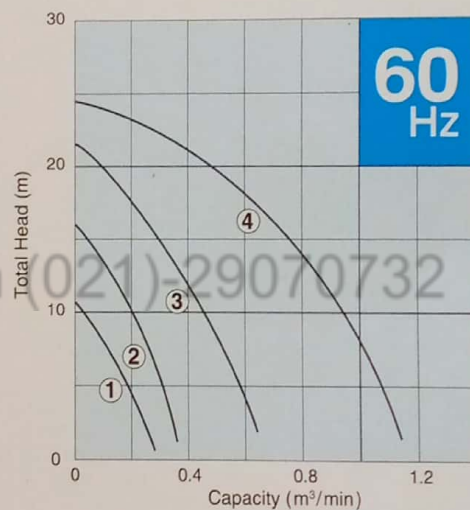
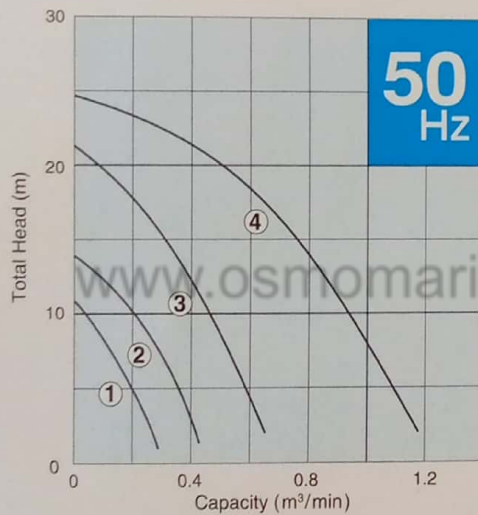
The SFQ-series is equipped with a special mechanical seal. The seal has superb corrosion resistance because silicon carbide is used for the seal faces while the gaskets are made of fluoro-rubber.

Powerful Pumping of Corrosive Liquids

The SFQ-series is ideal for the transfer and/or draining of corrosive liquids in chemical and pharmaceutical plants, laboratories, etc.



■ Performance Curves



■ Standard Specifications 50/60Hz

Curve No.	Discharge Bore mm	Model	Motor Output kW	Phase	Speed (S.S.) min ⁻¹	Starting Method	Solids Passage mm	Cable Length m	Cable Code	Dimensions L×H mm	Dry Weight** kg
1	50	50SFQ2.4S	0.4	Single	3000/3600	Capacitor	6	5	a	252×426	21
	50	50SFQ2.4	0.4	Three	3000/3600	D.O.L.	6	6	A	252×397	20
2	50	50SFQ2.75	0.75	Three	3000/3600	D.O.L.	6	6	A	252×397	20
3	80	80SFQ21.5	1.5	Three	3000/3600	D.O.L.	6	6	A	329×484	36
4	80	80SFQ23.7	3.7	Three	3000/3600	D.O.L.	15	6	C (E*)	359×542	52

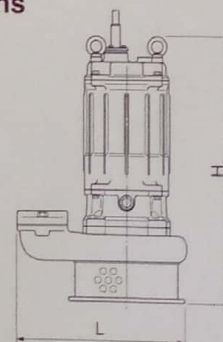
* 200~240V

** All weights excluding cable

■ Applications

- Draining wastewater from chemical plant, plastic plant, etc.
- Draining effluent from hospital and laboratory, etc.

■ Dimensions



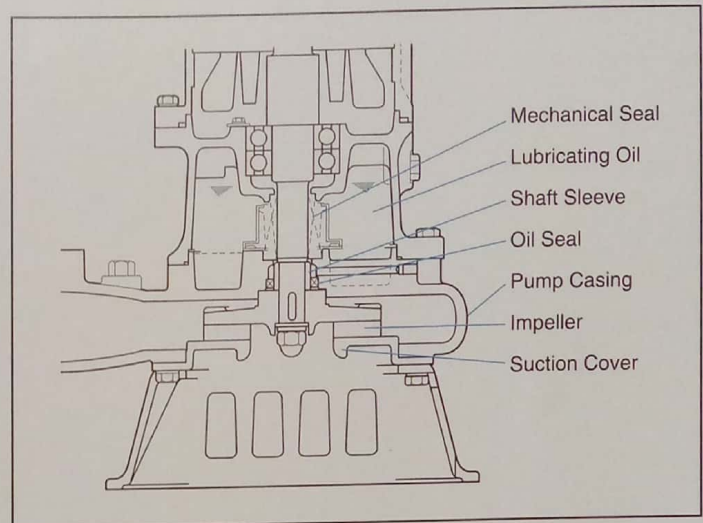
Features

Seal Pressure Relief System

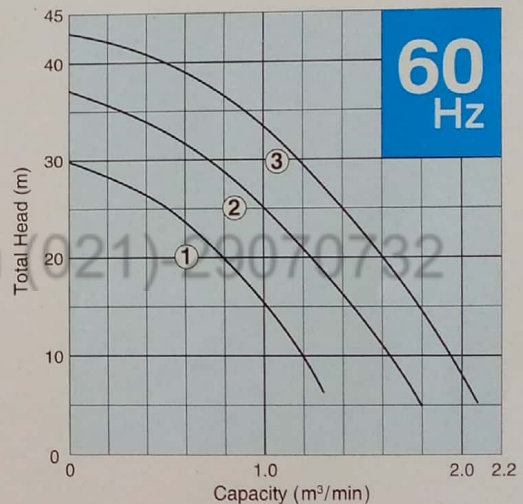
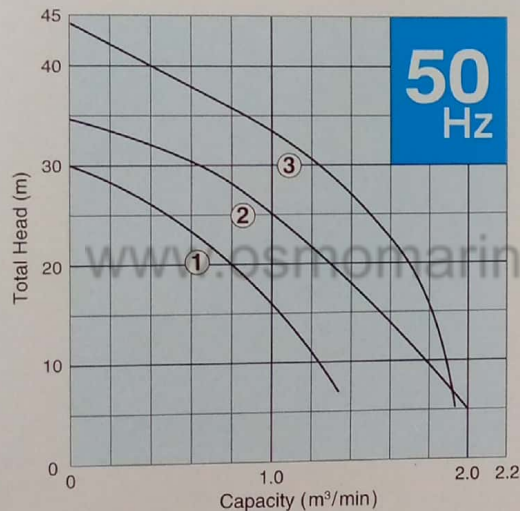
The SFQ-series of 5.5kW and over has a seal pressure relief system. This system features an independent pump casing separate from the oil casing in which the mechanical seal is housed. Installed between these two components is an intermediate chamber which is opened to the outside. Thanks to this system, the mechanical seal is only subject to static pressure (submergence pressure) with no pumping pressure operating on the mechanical seal.

Guide Rail Fitting Model Available

The SFQ-series of 5.5kW and over is available with guide rail fittings. Guide rail fitting accessories are made of stainless steel casting (SCS14) or 316 stainless steel (SUS316). Pumps in this series have a 'TOS' identifier on top of their model codes.



Performance Curves



Standard Specifications 50/60Hz

Curve No.	Discharge Bore mm	Free Standing Model	Guide Rail Fitting Model	Motor Output kW	Phase	Speed (S.S.) min ⁻¹	Starting Method	Solids Passage mm	Cable Length m	Cable Code	Dimensions L×H (mm)		Dry Weight* (kg)	
											Free Standing	Guide Rail Fitting	Free Standing	Guide Rail Fitting
1	80	80SFQ25.5	TOS80SFQ25.5	5.5	Three	3000/3600	D.O.L.	18	8	G	635×844	808×875	124	113
2	80	80SFQ27.5	TOS80SFQ27.5	7.5	Three	3000/3600	D.O.L.	23/20	8	I	635×844	808×875	123	112
3	80	80SFQ211	TOS80SFQ211	11	Three	3000/3600	Star-Delta	23	8	K	635×892	808×923	143	132

* All weights excluding cable
Weights of guide rail fitting model excluding duckfoot bend

Dimensions

